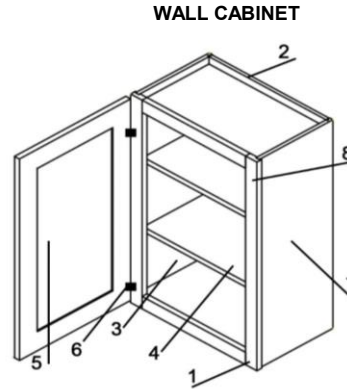
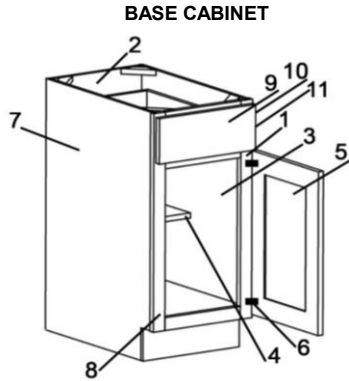


CABINET SPECIFICATIONS FOR MIDLAND



MIDLAND SERIES

1. 3/4" x 1 1/2" HARDWOOD FACE FRAMES WITH GLUED AND POCKET SCREWED JOINTS.
2. 3/8" PARTICLE BOARD BACKS, TOPS AND BOTTOMS, WITH MAPLE PRINT INTERIOR.
3. 1/2" PARTICLE BOARD SIDES, WITH MAPLE PRINT INTERIOR.
4. 3/4" PARTICLE BOARD SHELVING WITH A MAPLE PRINT ON BOTH SIDES AND ONE EDGE.
ALL SHELVES ARE ADJUSTABLE WITH BASE CABINETS HAVING 1/2 DEPTH SHELVES, SUPPORTED BY SHELF CLIPS.
5. DOOR STYLE
PLEASE REFER TO THE DOOR STYLE PAGES 19-26 FOR ADDITIONAL INFORMATION.
6. ONE PIECE ADJUSTABLE HINGE.
DOOR UPGRADE OPTION:
1. ADJUSTABLE SOFT CLOSE HINGE
7. CABINET ENDS:
1. ENDS WILL BE CLOSELY MATCHING PRINT TO THE SELECTED FINISH COLOR.
CLOSELY MATCHING PRINT IS NOT AVAILABLE WITH EVERGREEN FOG, GRAPHITE, NAVAL AND SLATE BLUE.
2. OPTIONAL ATTACHED FINISHED END SKINS MAY BE ADDED TO THE CABINET.
8. STANDARD FINISH CONSISTS OF NON WIPING STAIN, A COAT OF SELF SEALING CONVERSION VARNISH & A TOP COAT OF CONVERSION VARNISH. FINISH THICKNESS APPROXIMATELY 7 MIL. WET.
9. 3/4" HARDWOOD DRAWER FRONTS, PAINTED MAPLE WILL BE 3/4" HDF FRONTS.
10. SELF ADJUSTING EPOXY COATED 3/4 EXTENSION SIDE MOUNT DRAWER GUIDES.
TRACK UPGRADE OPTION:
1. UPGRADE TO A BLUM 7/8 EXTENSION UNDERMOUNT SOFT CLOSE TRACK
(DOES NOT INCLUDE 5/8" SOLID HARDWOOD DOVETAIL DRAWER BOX)
11. DRAWER BOX - 1/2" RABBETED PLYWOOD DRAWER WITH 1/4" FLOOR, AND 3/4 EXTENSION SIDE MOUNT.
DRAWER UPGRADE OPTION:
1. 5/8" SOLID HARDWOOD DOVETAIL DRAWER BOX WITH BLUM 7/8 EXTENSION UNDERMOUNT SOFT CLOSE TRACK

**KCMA CERTIFIED
MEETS KCMA ESP STANDARD
C.A.R.B. PHASE II COMPLIANT**