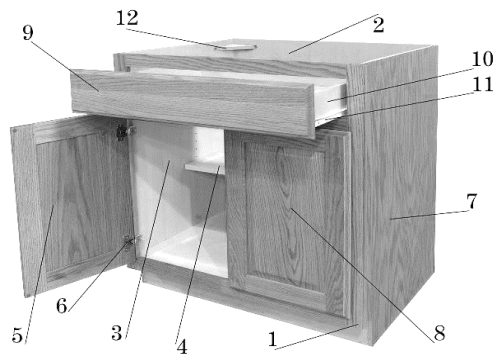
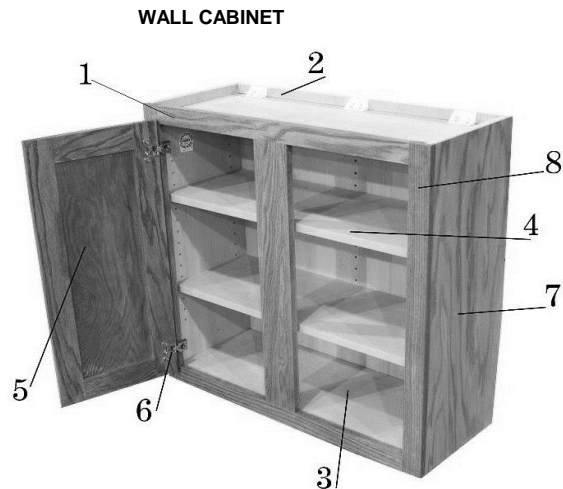


Marquis Classic

CLASSIC SERIES



BASE CABINET



WALL CABINET

1. 3/4" HARDWOOD FACE FRAMES WITH GLUED AND POCKET SCREWED JOINTS.
2. 1/2" PARTICLE BOARD BACK WITH MAPLE PRINT INTERIOR, ELIMINATING THE NEED FOR HANG RAILS. CABINETS OVER 36" WIDE WILL HAVE SHELF HOLES IN THE BACK FOR ADDED SUPPORT.
3. 1/2" PARTICLE BOARD SIDES, TOPS AND BOTTOMS, WITH MAPLE PRINT INTERIOR AND EXTERIOR.
4. 3/4" PARTICLE BOARD SHELVING WITH MAPLE PRINT ON BOTH SIDES AND ONE EDGE. ALL SHELVES ARE ADJUSTABLE WITH BASE CABINETS HAVING 1/2 DEPTH SHELVES, SUPPORTED BY SHELF CLIPS.
5. 3/4" HARDWOOD STILE AND RAIL DOORS, MORTISE & TENON.
6. BLUM ONE PIECE ADJUSTABLE CONCEALED HINGES WITH LIFETIME WARRANTY.
DOOR UPGRADE OPTIONS:
 1. BLUMOTION SOFTCLOSE HINGE.
7. AVAILABLE OPTION: APPLIED 1/4" VENEERED SKINS.
8. STANDARD FINISH CONSISTS OF HAND WIPED STAIN, A COAT OF SELF SEALING CONVERSION VARNISH, & A TOP COAT OF CONVERSION VARNISH. FINISH THICKNESS APPROXIMATELY 7 MIL, WET.
9. 3/4" HARDWOOD DRAWER FRONTS. PAINT GRADE WILL BE HIGH DENSITY FURNITURE BOARD.
10. 1/2" RABBETED PLYWOOD DRAWER WITH 1/4" FLOOR.
DRAWER UPGRADE OPTIONS:
 1. 5/8" SOLID HARDWOOD DOVETAIL DRAWER WITH 3/4 EXTENSION SIDEMOUNT GUIDE. (DT-GSM)
 2. 5/8" SOLID HARDWOOD DOVETAIL DRAWER WITH SOFT CLOSE 7/8 EXTENSION UNDERMOUNT GUIDE. (DT-BSC 7/8)
 3. 5/8" SOLID HARDWOOD DOVETAIL DRAWER WITH BLUMOTION FULL EXTENSION UNDERMOUNT SOFT CLOSE DRAWER GUIDES. (DT-UMFE)
11. SELF ADJUSTING EPOXY COATED SIDE MOUNT DRAWER GUIDES. TRACK WEIGHT RATING OF 75 POUNDS.
12. COUNTERTOP CORNER STRETCHERS ARE MADE OF ENGINEERED WOOD.

DURING INSTALLATION IF SILICONE IS GOING TO BE USED WE RECOMMEND IT BE A "NEUTRAL CURE" SILICONE. SILICONE PRODUCTS THAT CONTAIN ACETIC ACID SHOULD NOT BE USED AS IT CAN HAVE A DISCOLORING EFFECT ON THE FINISH.

KCMA CERTIFIED
MEETS KCMA ESP STANDARDS
C.A.R.B. PHASE II COMPLIANT